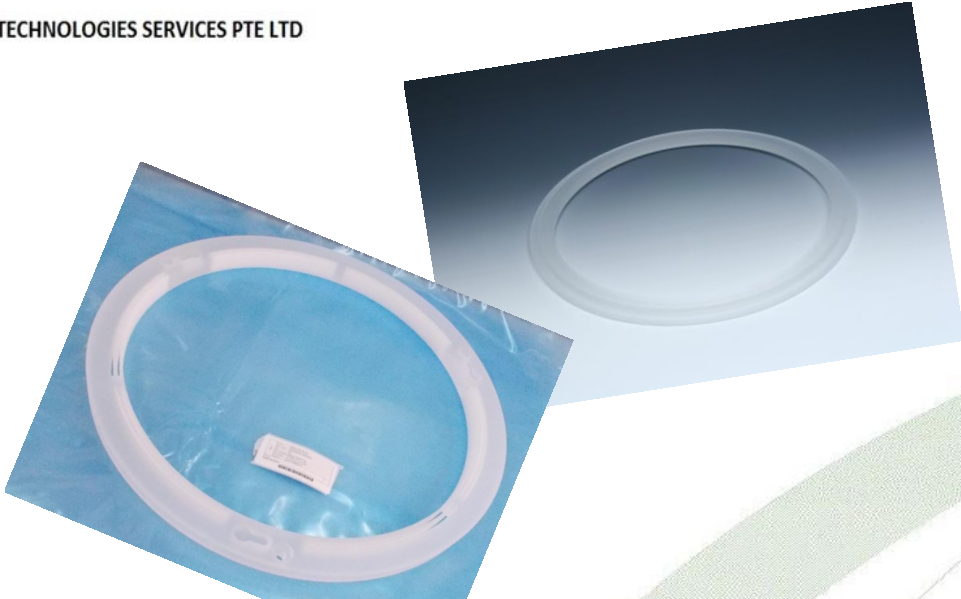




ALDON TECHNOLOGIES SERVICES PTE LTD



Quartz Parts



Aldon Proprietary Information



ALDON TECHNOLOGIES SERVICES PTE LTD

Introduction

ALDON is proud to provide our Supply of Quartz parts by working with our quality principals from around our regions.

By drawing on their respective areas of expertise, we are able to provide our customers with a wide range of products that are of best quality with competitive pricing.

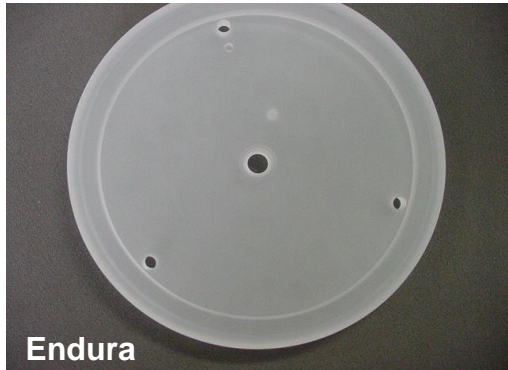
Over the years, we have also built up extensive capabilities in reverse engineering and providing modifications to help customers resolves their chronic issues.





ALDON TECHNOLOGIES SERVICES PTE LTD

Range of Quartz Products



Endura

Pinless Quartz Insulator
P/n 0200-00221



Flex

Ring, WAP, 17.07x1.4 THK, C Sect, 3 (Taller CFR)
P/n 716-017112-533



Endura

Quartz Belljar
P/n 0040-21178



Flex

Ring WAP, QTZ, Generic, 17INDFC 300
P/n 716-014843-300



Endura

Cover Top Quartz 8" PCII
P/n 0200-00218



Flex

Thicker Ring, Cover, Outer GND
P/n 716-018468-092



Aldon Proprietary Information



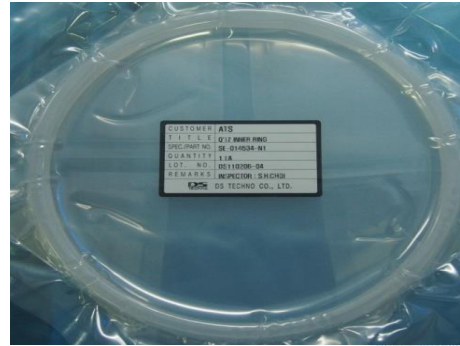
Range of Quartz Products

ALDON TECHNOLOGIES SERVICES PTE LTD



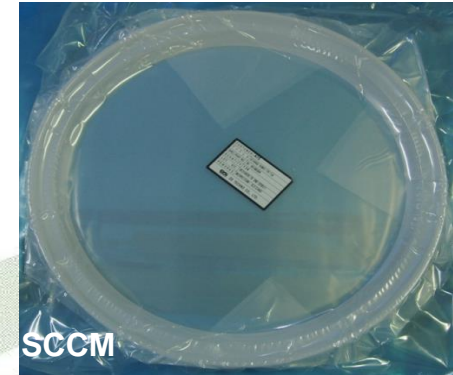
Ring Insulator A-7 LA4-B Q DRM 2 (Quartz)

P/n 1D05-300188-12



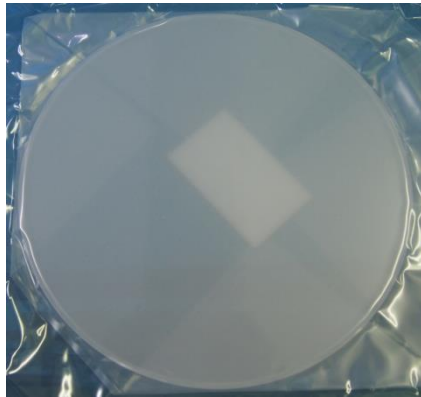
Inner Ring, Quartz (Quartz)

P/n 1810-222433-11



Cover Ring FBILV (Quartz)

P/n 3D05-350020-11



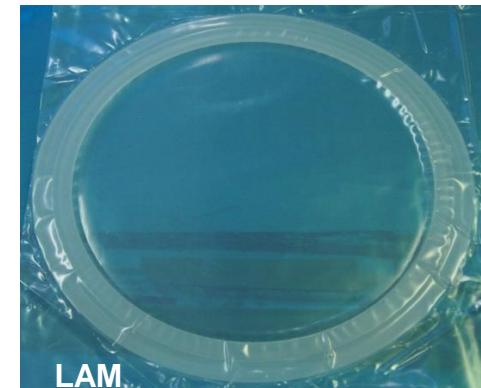
Quartz GDP 88 Holes (Quartz)

P/n 0200-00665



Ring Quartz Stepped

P/n 0200-03574



Cover, H/E Ring (Quartz)

P/n 716-013402-008

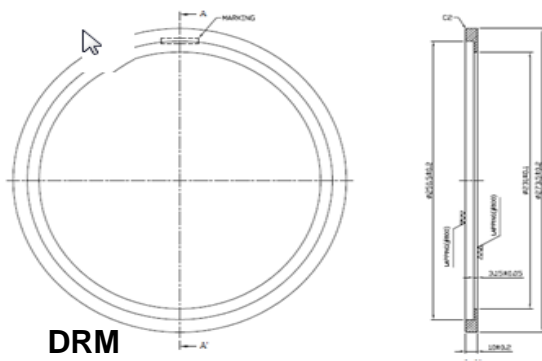


Aldon Proprietary Information



ALDON TECHNOLOGIES SERVICES PTE LTD

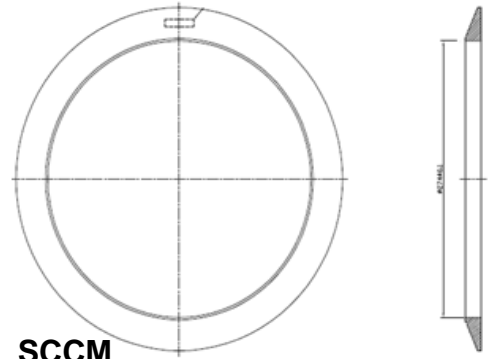
Range of Quartz Products



DRM

Cover Ring Inner (Quartz)

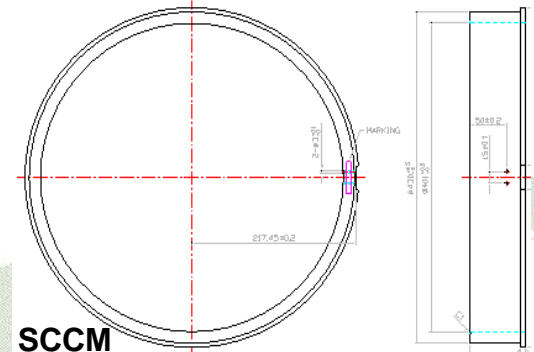
P/n 1805-320140-11



SCCM

Cover Ring Outer (Quartz)

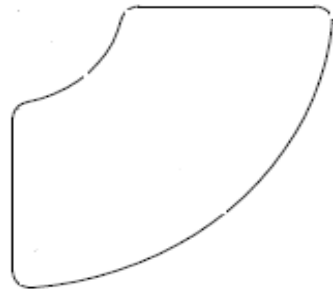
P/n 1805-320141-11



SCCM

Ring Exhaust Outer EPD H6 (Quartz)

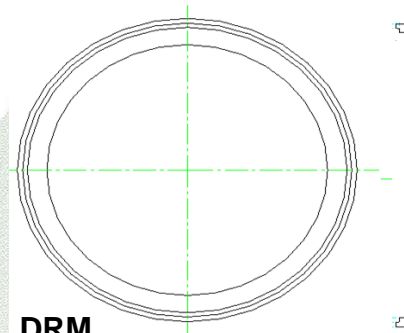
P/n 1805-220135-23



DRM

Plate Quartz Tri. Adaptor (Quartz)

P/n 262762 & 06-2619



DRM

Ring Insulator A7 (Quartz)

P/n 1D05-300052-13



Aldon Proprietary Information